

CA 1003 Industrial thermocouple

Protection tube

Construction	Closed-end tube
Diameter	9.0mm standard, other diameters possible
Material	SS 316 - (Wst 1.4401) standard, other materials possible
Insertion length	Customer to specify
Process connection	1/2"BSP (G1/2"), 1/2"NPT, M20x1.5 or other threads possible
Extension length	Customer to specify

Connection head

Material	Aluminium, plastic or stainless steel
Cable entry	M20x1.5 cable gland standard, other threads possible

Measuring insert

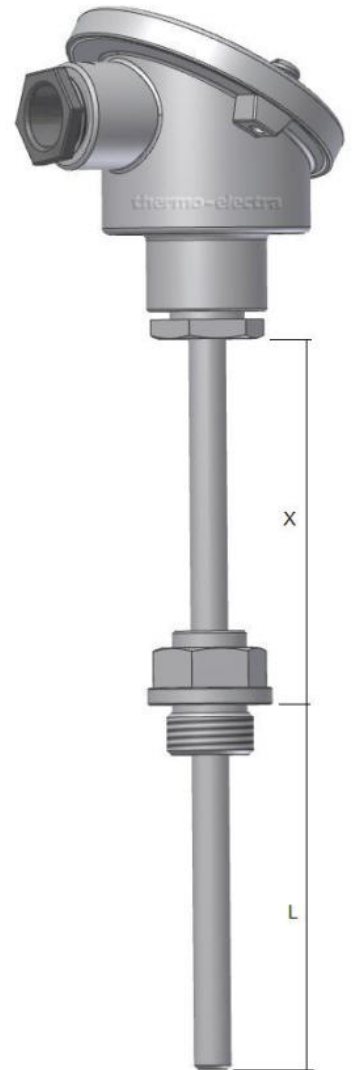
Type	MI 1025
Construction	Springloaded and replaceable
Diameter	6.0mm standard, other diameters possible
Length	$E = L + X + 35$ mm
Material	SS 316 - (Wst 1.4401) standard, other materials possible

Thermocouple

Calibration	K, T, J, E, N, U or L
For duplex	KK, TT, JJ, EE, NN, UU or LL
Accuracy	According IEC 60584 / DIN 43710

Options

Transmitter 4-20mA	In-Head transmitter, standard or Ex version. Please select from our standard range or specify your own standard
Swing-Cover head	DAN, transmitter direct mounted on measuring insert
High Swing-Cover head	DAN-H, transmitter in cover, insert with ceramic block



Ordering code

*This datasheet is purely indicative, build-up of model code may vary from this datasheet.

