

# ME 1062 Mineral insulated thermocouple with PTFE cable and SS protection hose

## Sheath

<b>Construction</b>	Bendable mineral insulated
<b>Material</b>	SS 316 - (Wst 1.4401) Also available in SS310, Inconel 600, Hasteloy X and Nicrosil D
<b>Insulation</b>	MgO
<b>Diameter</b>	Customer to specify
<b>Length</b>	Customer to specify

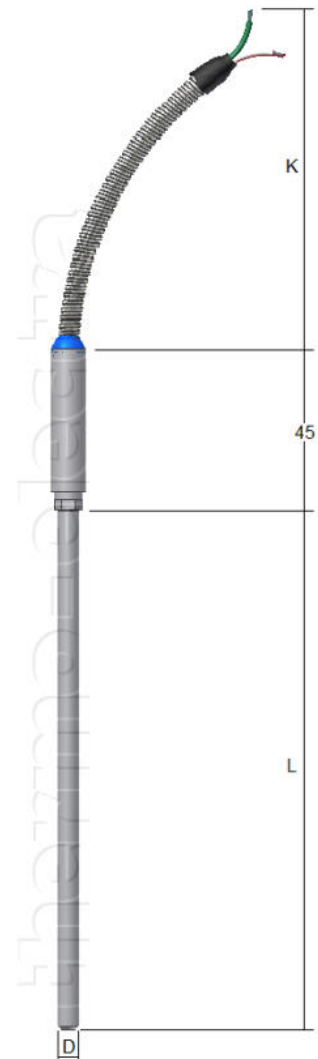
## Extension cable

PTFE insulated flexible cable with stainless-steel flexible hose, 240°C

**Cable length** Customer to specify

## Thermocouple

<b>Calibration</b>	K, T, J, E, N, U or L
<b>For duplex</b>	KK, TT, JJ, EE, NN, UU or LL
<b>Accuracy</b>	According IEC 60584
<b>Hot junction</b>	Insulated
<b>Testing</b>	Tested 500 Volt @ 20 °C
<b>Insulation resistance</b>	Minimum 100 M ohm
<b>Available diameter</b>	(0.25 - 0.5 - 1.0)* 1.5 - 2.0 - 3.0 - 4.5 6.0 and 8.0 mm. Other diameters possible * single only



## Ordering code

\*This datasheet is purely indicative, build-up of model code may vary from this datasheet.

