

CA 2003 Resistance thermometer

Protection tube

Construction	Closed-end tube
Diameter	9.0mm standard, other diameters possible
Material	SS 316 - (Wst 1.4401) standard, other materials possible
Insertion length	Customer to specify
Process connection	1/2"BSP (G1/2") standard, M20x1.5, 1/2"NPT or other threads possible
Extension length	Customer to specify

Connection head

Material	Aluminium, plastic or stainless steel
Cable entry	M20x1.5 cable gland standard, other threads possible

Measuring insert

Type	MI 2025
Construction	Replaceable springloaded, 6mm standard, other diameters possible
Length	$E = L + X + 35 \text{ mm}$
Material	SS 316 - (Wst 1.4401) standard, other materials possible

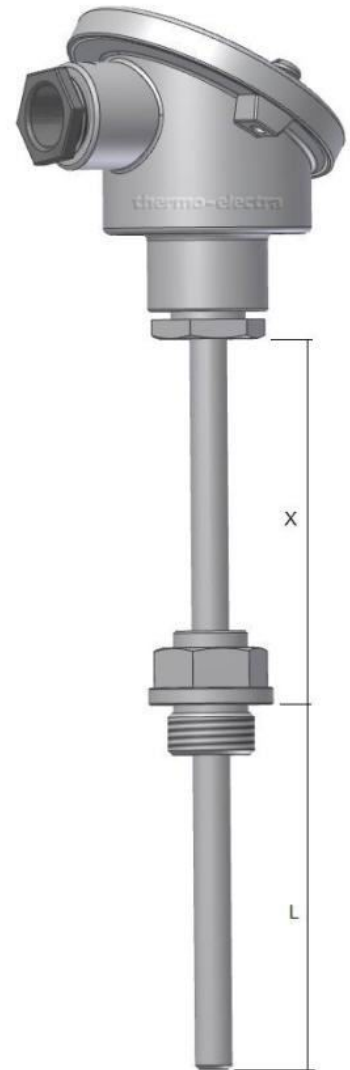
Sensor

Single or Duplex Pt100

Accuracy	According IEC 60751 Cl. B, A or AA
Style / Connection	3-wire system standard, 4-wire system optional
Range	-20 / +400°C standard, -220 / +600°C optional

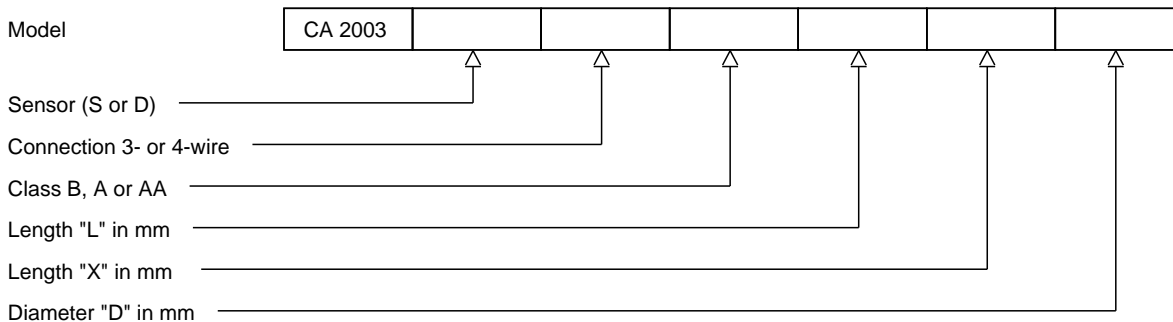
Options

Transmitter 4-20mA	In-Head Transmitter, standard or Explosion proof. Please select from our standard range, see
Swing-Cover head	DAN transmitter direct mounted on measuring insert
High Swing-Cover head	DAN-H, transmitter in cover, insert with ceramic block



Ordering code

*This datasheet is purely indicative, build-up of model code may vary from this datasheet.



H2-1 Rev.0 7/07