

# CA 2008 Air temperature resistance thermometer

## Protection tube

<b>Construction</b>	Perforated tube with open or closed bottom
<b>Diameter</b>	9.0mm standard, other diameters possible
<b>Material</b>	SS 316 - (Wst 1.4401) standard, other materials possible
<b>Insertion length</b>	Customer to specify
<b>Process connection</b>	M20x1.5, 1/2"BSP (G1/2"), 1/2"NPT or other threads possible
<b>Extension length</b>	Customer to specify

## Connection head

<b>Material</b>	Aluminium, plastic or stainless steel
<b>Cable entry</b>	M20x1.5 cable gland standard, other threads possible

## Measuring insert

<b>Type</b>	MI 2025
<b>Construction</b>	Replaceable
<b>Diameter</b>	6.0mm standard, other diameters possible
<b>Length</b>	$E = L + X + 30 \text{ MM}$

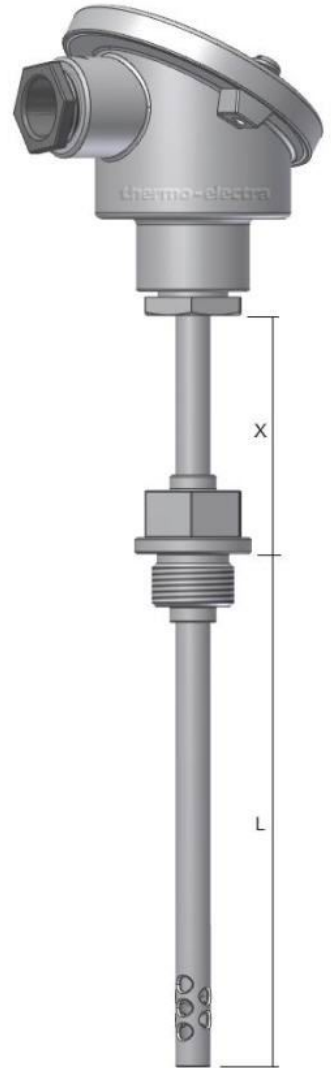
## Sensor

Single or Duplex Pt100

<b>Accuracy</b>	According IEC 60751 class B
<b>Style / Connection</b>	3-wire system standard, 4-wire system optional
<b>Range</b>	-220 / +600°C

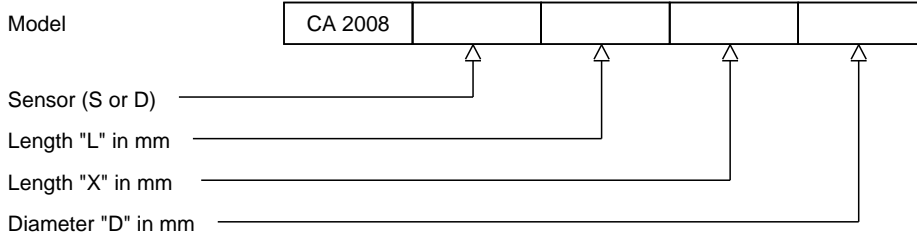
## Options

<b>Transmitter 4-20mA</b>	In-Head transmitter, standard or Ex. Please select from our standard range or specify your own standard
<b>Swing-Cover head</b>	DAN, transmitter direct mounted on measuring insert
<b>High Swing-Cover head</b>	DAN-H, transmitter in cover, insert with ceramic block



## Ordering code

\*This datasheet is purely indicative, build-up of model code may vary from this datasheet.



H2-1 Rev.0 7/07