

# DWR 6070 Oil- and water temperature resistance thermometer

## Design

Designed for use on ships

## Type Approval

LLoyds Register Marine

## Category

LV2000 range

## Protection tube

Drilled barstock

## Material

SS 316 - ( Wst 1.4401 ) standard, other materials possible

## Insertion length

50mm standard, other lengths possible

## Diameter

11mm standard, other diameters possible

## Process connection

1/2" NPT, 3/4" NPT, 1/2" BSP or M20x1.5

## Cable

Silicone insulated flexible copper wire with silicon outer jacket 240 °C

## Cable length

1000mm standard, other lengths possible

## Sensor

Single or Duplex Pt100

## Accuracy

According IEC 60751 class B

## Style / Connection

3-wire system standard, 4-wire system optional

## Range

-50 / +250°C

## Testing

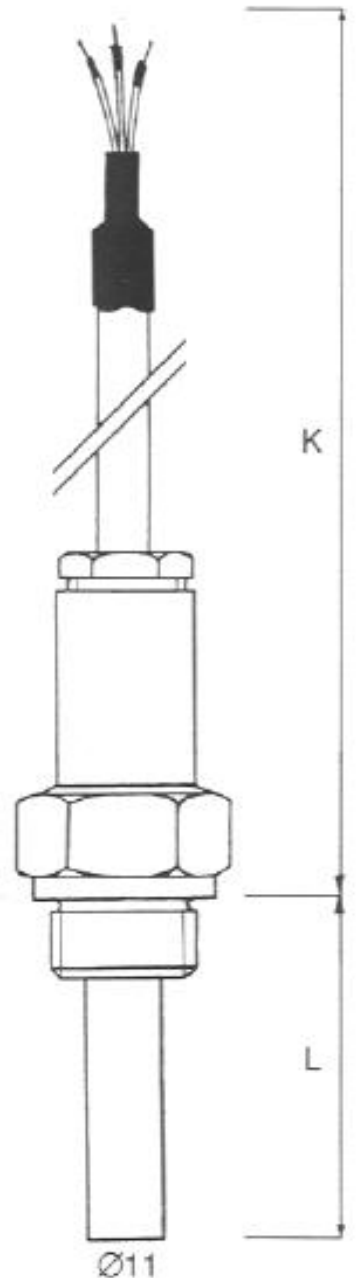
Tested 200 Volt @ 20°C

## Insulation

Minimum 100 M ohm

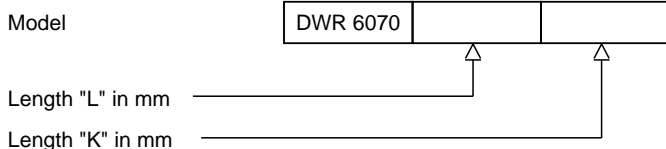
## Design

Vibration : 5 to 30 Hz - 1.6 mm 30 to 5000 Hz - 5 g



## Ordering code

\*This datasheet is purely indicative, build-up of model code may vary from this datasheet.



H6-1 Rev. 07/07