

DWK 6095 Air resistance thermometer

Design

Designed for use in maritime environments

Type approval

LLoyds Register Marine

Category

TEK 100 4L

Tube

Material

SS 316 - (Wst 1.4401) standard, other materials possible

Construction

Perforated tube

Box

Material

Brass

Cable entry

M24x1.5 cable gland

Sensor

Single Pt100

Style / Connection

4-wire system

Accuracy

AA according to IEC 60751

Range

-40 / +70°C

Testing

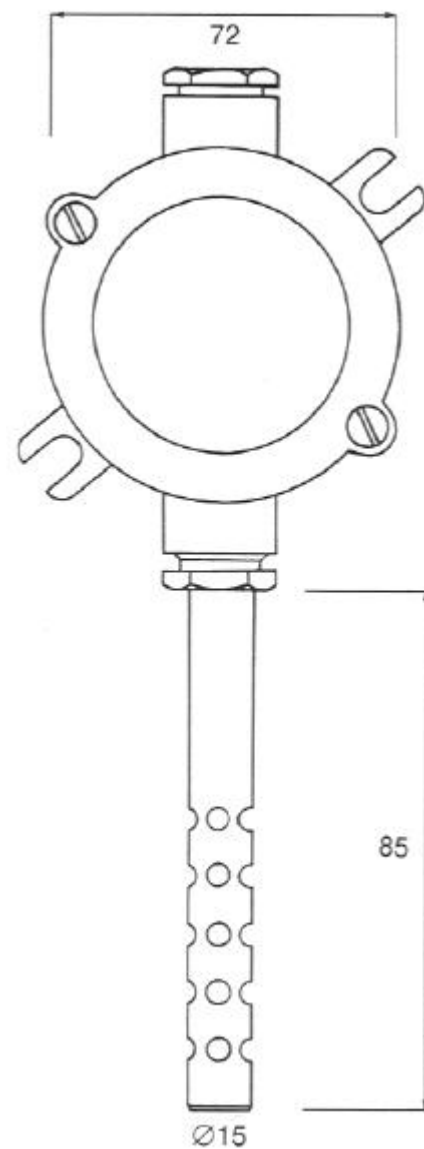
Tested 500VDC

Insulation

Minimum 100 Mohm

Protection

IP 65



Ordering code

*This datasheet is purely indicative, build-up of model code may vary from this datasheet.

Model

DWK 6095

H6-1 Rev. 07/07

Thermo Electra B.V.
Weteringweg 10
2641KM Pijnacker
The Netherlands

Phone +31 (0)15 - 3621200
Fax +31 (0)15 - 3694082
Email sales@thermo.nl
http://www.thermo-electra.com