

# DWR6043 Vibration proof resistance thermometer

## Design

Designed for use on combustion engines

## Protection tube

### Construction

Closed-end tube

### Material

SS 316 - ( Wst 1.4401 )

### Insertion length "L"

Customer to specify, standard 150 mm

### Diameter

12 mm, tip 9 mm

### Process connection

1/2" BSP steel compression gland

## Cable

Heat and oil resistant armoured extension cable, 250 °C

## Cable length "K"

Customer to specify, standard 1000 mm

## Sensor

Pt100

### Style / Connection

3 wire system ( Optional 4 wire system )

### Accuracy

According IEC 751 Class B

### Testing

Tested 200 Volt @ 20°C

### Insulation

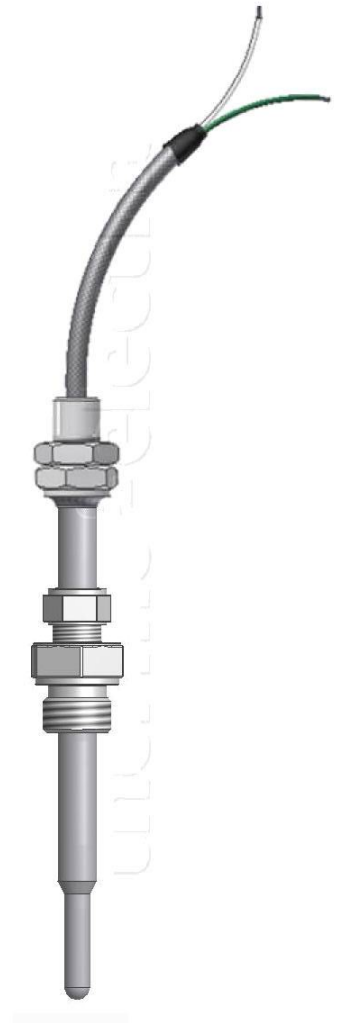
Minimum 100 M ohm

### Design

Vibrationproof

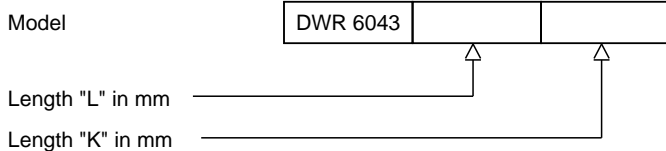
## Temperature

600°C maximum



## Ordering code

\*This datasheet is purely indicative, build-up of model code may vary from this datasheet.



H6-1 Rev.1 07/07