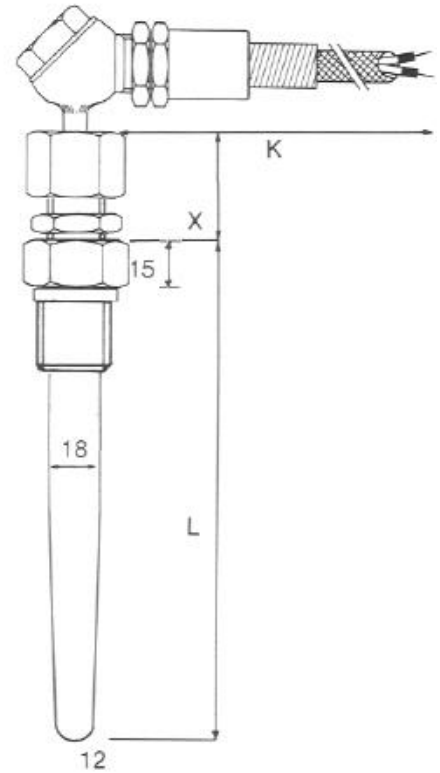


# DWR 6055 Vibration proof resistance thermometer

<b>Design</b>	Designed for use on combustion engines
<b>Protection tube</b>	
<b>Construction</b>	Bar stock drilled thermowell
<b>Material</b>	SS 316 - ( Wst 1.4401 )
<b>Insertion length "L"</b>	Customer to specify, standard 150 mm
<b>Diameter</b>	Conical 18 to 12 mm
<b>Process connection</b>	1/2" BSP
<b>Extention length "X"</b>	Standard 50 mm
<b>Cable</b>	
	Heat and oil resistant armoured extension cable, 250°C
<b>Cable length "K"</b>	Customer to specify, standard 1000 mm
<b>Sensor</b>	
	Pt100
<b>Style / Connection</b>	3 wire system ( Optional 4 wire system )
<b>Accuracy</b>	According IEC 751 Class B
<b>Testing</b>	Tested 200 Volt @ 20°C
<b>Insulation</b>	Minimum 100 M ohm
<b>Design</b>	Vibrationproof
<b>Temperature</b>	
	600 °C maximum



## Ordering code

\*This datasheet is purely indicative, build-up of model code may vary from this datasheet.

