

ME 2062 General purpose resistance thermometer with FEP/PFA cable and SS hose

Sheath

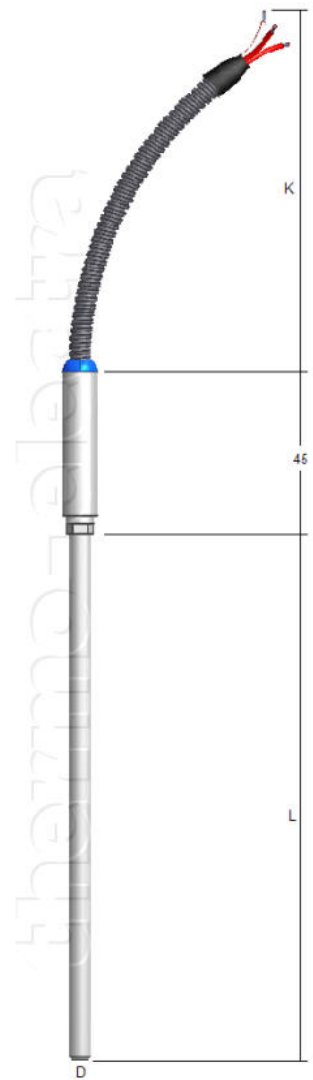
Construction	Mineral insulated
Material	SS 316 - (Wst 1.4401) standard, other materials possible
Insulation	MgO
Diameter	3 or 6 mm, customer to specify
Length	Customer to specify

Cable

	PTFE insulated flexible cable with stainless steel flexible protection sleeve +240°C
Cable length	Customer to specify

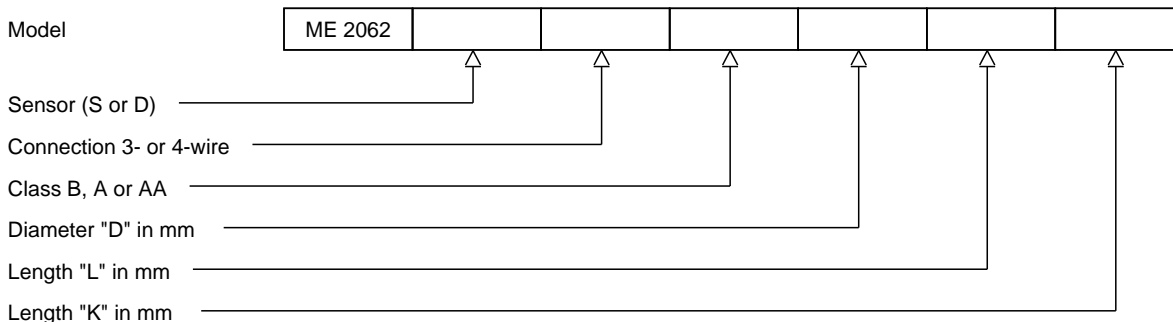
Sensor

	Single or Duplex Pt100
Accuracy	According IEC 60751 Cl. B, A or AA
Style / Connection	3-wire system standard, 4-wire system optional
Range	Standard -20 / +400°C, optional -220 / +600°C
Testing	Tested at 500 Vdc / 20°C
Insulation resistance	Minimum 100Mohm



Ordering code

*This datasheet is purely indicative, build-up of model code may vary from this datasheet.



H2-1 Rev.0 7/07