

LEX25 Ex ia/ib certified thermocouple for zone 0, 1 and 2

Construction

ATEX execution	II 1 G Ex ia IIC T6...T1 Ga II 1/2 G Ex ia/ib IIC T6...T1 Ga/Gb II 2 G Ex ib IIC T6...T1 Gb
ATEX certificate	DEKRA 17ATEX0123 X
IECEX execution	Ex ia IIC T6...T1 Ga Ex ia/ib IIC T6...T1 Ga/Gb Ex ib IIC T6...T1 GB
IECEX certificate	IECEX DEK 17.0046X
Suitable for zone	0, 1 and 2
Ingress protection	IP65 / IEC529
Ambient temp. range	-45°C...+80°C, this can be limited depending on the materials applied such as cables, connection heads, junction boxes and transmitters.

Connection head

Model	DAN-AK (showed), other connectionheads possible
Material	Aluminium, plastic or stainless steel
Cable entry	M20x1.5 standard, other threads possible

Measuring insert

Construction	Springloaded and replaceble
Springaction	>10mm standard, >40mm optional
Diameter	6.0mm standard, other diameters possible
Type	Mineral insulated (MgO)

Thermocouple

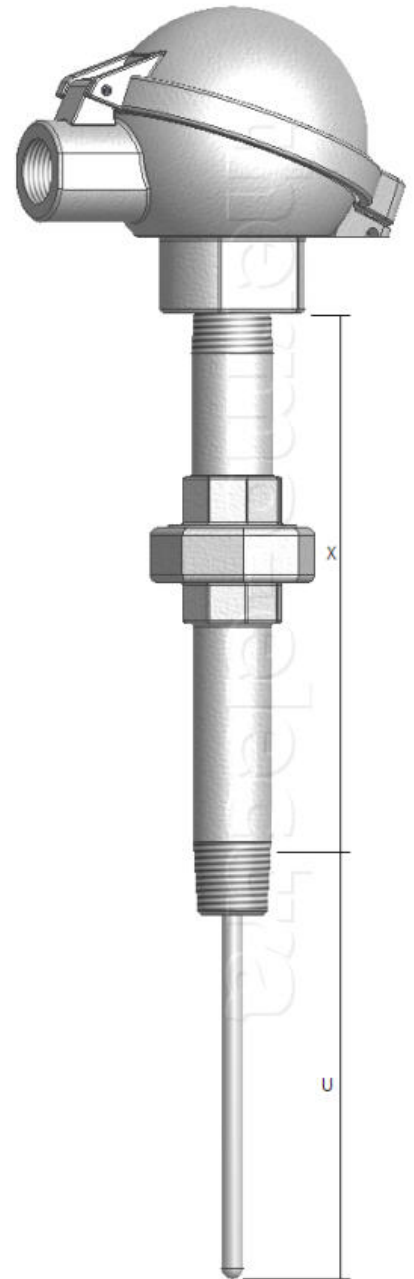
Calibration	K, T, J, E, R, S, B, U, N or L
For duplex	KK, TT, JJ, EE, RR, SS, BB, UU, NN or LL
Accuracy	According to IEC 60584-1

Extension

Type	Nipple - union - nipple standard, other constructions possible
Material	Stainless Steel
Style / Connection	1/2"NPT standard, other threads possible
Length	150mm standard, other lengths possible

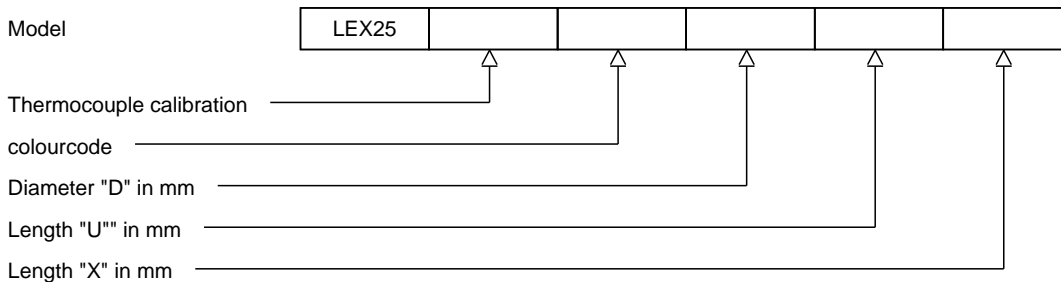
Datasheet notification

This datasheet is purely indicative, build-up of model code may vary from this datasheet depending on chosen model or execution!



Ordering code

*This datasheet is purely indicative, build-up of model code may vary from this datasheet.



H3-1 Rev.0 7/07