

LEX25 Ex ia/ib certified resistance thermometer with transmitter for zone 0, 1 and 2

Construction

ATEX execution	II 1 G Ex ia IIC T6...T1 Ga II 1/2 G Ex ia/ib IIC T6...T1 Ga/Gb II 2 G Ex ib IIC T6...T1 Gb
ATEX certificate	DEKRA 17ATEX0123 X
IECEx execution	Ex ia IIC T6...T1 Ga Ex ia/ib IIC T6...T1 Ga/Gb Ex ib IIC T6...T1 Gb
IECEx certificate	IECEx DEK 17.0046X
Suitable for zone	0, 1 and 2
Ingress protection	IP65 / IEC529
Ambient temp. range	-45°C...+80°C, this can be limited depending on the materials applied such as cables, connection heads, junction boxes and transmitters.

Connection head

Model	DAN-AK (showed), other connectionheads possible
Material	Aluminium, plastic or stainless steel
Cable entry	M20x1.5 standard, other threads possible

Measuring insert

Construction	Springloaded and replaceable
Springaction	>10mm standard, >40mm optional
Diameter	6.0mm standard, other diameters possible
Type	Mineral insulated (MgO),

Sensor

Execution	Single or Duplex Pt100
Connection	3-wire standard, 4-wire optional
Accuracy	According IEC 60751 Cl. B, A or AA
Measuring range	-20°C...+400°C standard, -220°C...+600°C optional

Transmitter

Model	Select from our standard range or specify your standardized brand
Head mounted	Standard mounted on insert, replaces the terminal block
Alternative mounting	Mounted in the cover of the head
Range and model	To specify

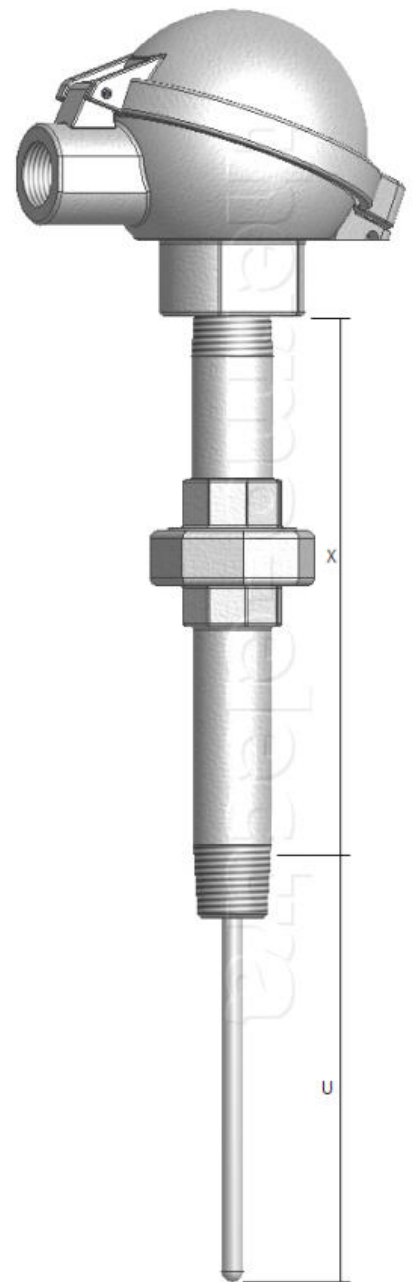
Extension

Type	Nipple - union - nipple standard, other constructions possible
Material	Stainless steel
Style / Connection	1/2" NPT standard, other threads possible
Length	150mm standard, other lengths possible

Ordering code

*This datasheet is purely indicative, build-up of model code may vary from this datasheet.

Model	LEX25							
Sensor S or D								
Connection 3- or 4-wire								
Class B, A or AA								
Diameter "D" in mm								
Length "U" in mm								
Length "X" in mm								
Transmitter model								



H3-1 Rev.0 7/07