

DWK 6041 Vibration proof thermocouple

Design

Applications Designed for use on combustion engines

Protection tube

Construction Closed-end tube

Material SS 316 - (Wst 1.4401) standard, other materials possible

Insertion length 150mm standard, other lengths possible

Diameter 8.0mm standard, other diameters possible

Process connection 1/4"BSP (G1/4"), 1/4"NPT, 1/2"BSP (G1/2"), 1/2"NPT or other threads possible

Temperature 800°C maximum

Pocket / Thermowell

Small diameter sensors can break due to high vibrations, the use of a thermowell or pocket can be imperative, check with your engine manufacturer or consult factory.

Extension cable

Heat and oil resistant armoured extension cable up to +250°C

Length 1000mm standard, other lengths possible

Sensor

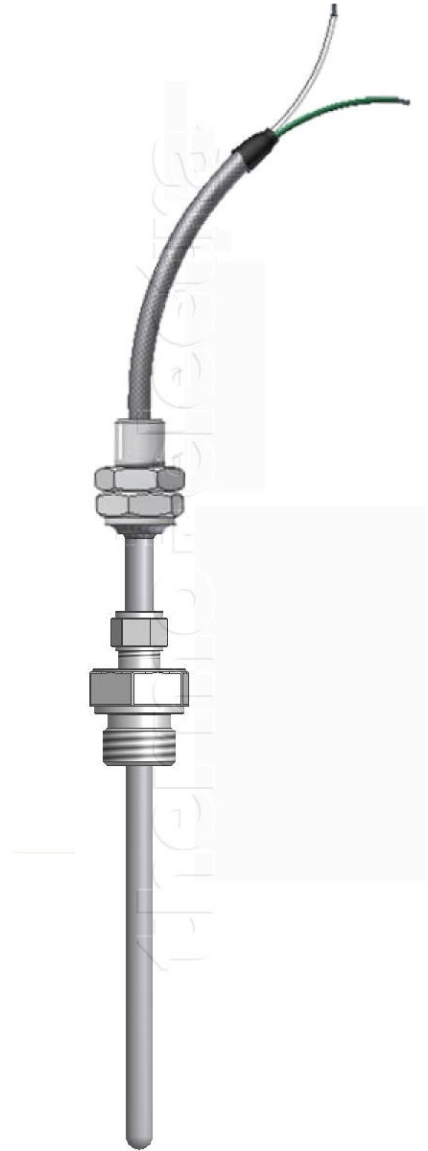
Thermocouple K, J or L

Accuracy According IEC 60584-1

Testing Tested 500 Volt @ 20°C

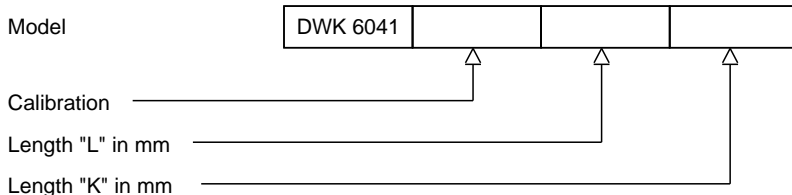
Insulation Minimum 100Mohm

Design Vibrationproof



Ordering code

*This datasheet is purely indicative, build-up of model code may vary from this datasheet.



H6-1 Rev. 07/07