

# DWK 6043 Vibration proof thermocouple

## Design

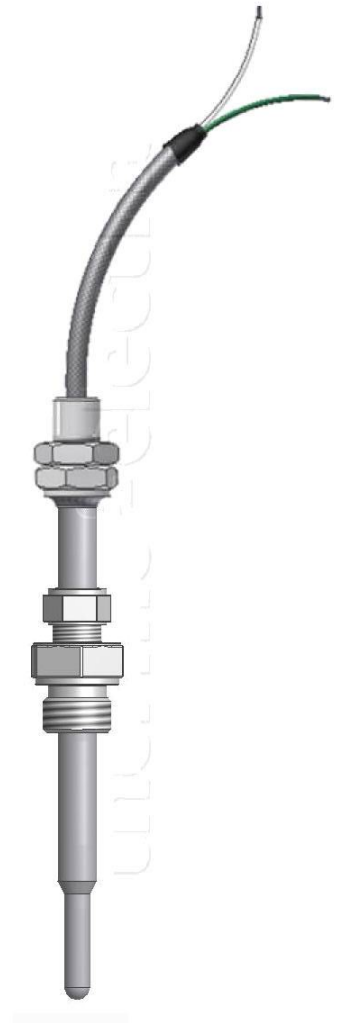
<b>Applications</b>	Designed for use on combustion engines
<b>Protection tube</b>	
<b>Construction</b>	Closed-end tube
<b>Material</b>	SS 316 - ( Wst 1.4401 ) standard, other materials possible
<b>Insertion length</b>	150mm standard, other lengths possible
<b>Diameter</b>	12mm, tip 9mm standard, other diameters possible
<b>Process connection</b>	1/2"NPT, 3/4"NPT, 1/2"BSP, M20x1.5 or other threads possible
<b>Temperature</b>	800°C maximum

## Lead wire

	Heat and oil resistant armoured extension cable 250°C
<b>Lead wire length</b>	1000mm standard, other lengths possible

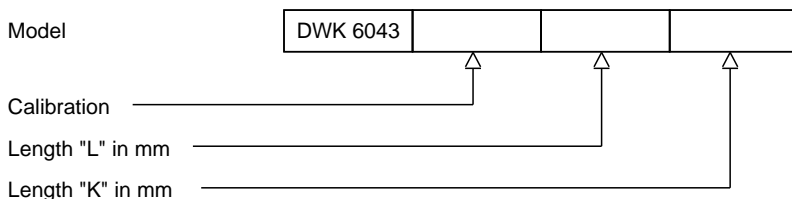
## Sensor

<b>Thermocouple</b>	K, J or L
<b>For duplex thermocouple</b>	KK, JJ, or LL
<b>Accuracy</b>	According IEC 60584-1
<b>Hot junction</b>	Insulated
<b>Testing</b>	Tested 500 Volt @ 20°C
<b>Insulation</b>	Minimum 100Mohm
<b>Design</b>	Vibrationproof



## Ordering code

\*This datasheet is purely indicative, build-up of model code may vary from this datasheet.



H6-1 Rev. 07/07