

LEX55 Ex ec certified RTD sensor for zone 2 and 22

Construction

ATEX execution	II 3 G Ex ec IIC T6...T1 Gc
ATEX certificate	DEKRA 18ATEX0024 X
IECEX execution	Ex ec IIC T6...T1 Gc
IECEX certificate	IECEX DEK 17.0046X
Suitable for zone	2 and 22
Ingress protection	IP65 / IEC529
Ambient temp. range	-45°C...+80°C, this can be limited depending on the materials applied such as cables, connection heads, junction boxes and transmitters.

Connection head

Model	DAN-AK (showed), other Ex certified heads possible
Material	Aluminium, plastic or stainless steel
Cable entry	M20x1.5 standard, other threads possible

Measuring insert

Construction	Springloaded and replaceable
Springaction	>10mm standard, >40mm optional
Diameter	6.0mm standard, other diameters possible
Type	Mineral insulated (MgO)

Sensor

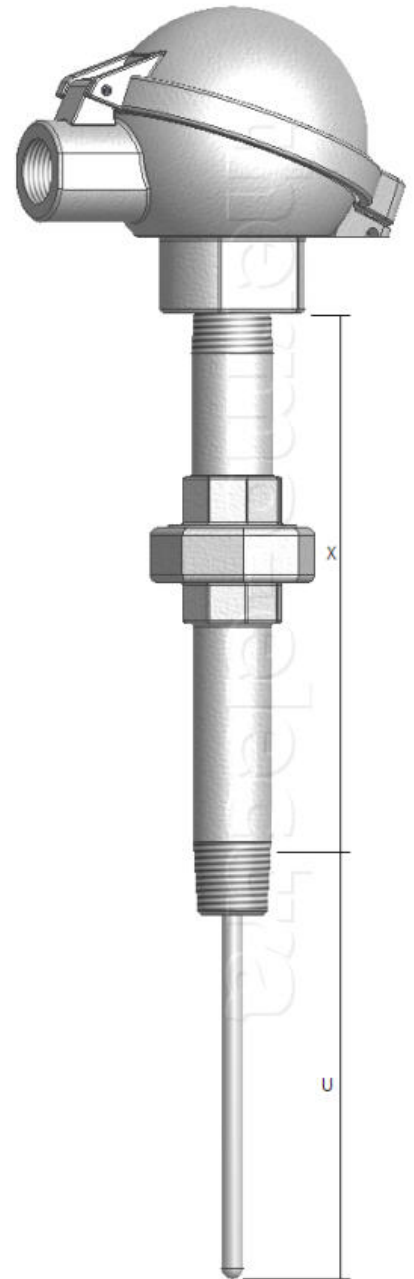
Execution	Single or Duplex Pt100
Connection	3-wire standard, 4-wire optional
Accuracy	According IEC 60751 Cl. B, A or AA
Measuring range	-20°C...+400°C standard, -220°C...+600°C optional

Extension

Type	Nipple - union - nipple standard, other constructions possible
Material	Stainless steel
Style / Connection	1/2"NPT standard, other threads possible
Length	150 mm standard, other lengths possible

Datasheet notification

The LEX55 is the replacement for the LEX45 Ex nA
 This datasheet is purely indicative, build-up of model code may vary from this datasheet



Ordering code

*This datasheet is purely indicative, build-up of model code may vary from this datasheet.

