

LEX55 Ex ec certified thermocouple for zone 2 and 22

Construction

ATEX execution	II 3 G Ex ec IIC T6...T1 Gc
ATEX certificate	DEKRA 18ATEX0024 X
IECEX execution	Ex ec IIC T6...T1 Gc
IECEX certificate	IECEX DEK 17.0046X
Suitable for zone	2 en 22
Ingress protection	IP65 / IEC529
Ambient temp. range	-45°C...+80°C, this can be limited depending on the materials applied such as cables, connection heads, junction boxes and transmitters.

Connection head

Model	DAN-AK (showed), other Ex certified connectionheads possible
Material	Aluminium, Stainless Steel or Plastic
Cable entry	M20x1.5 standard, other threads possible

Measuring insert

Construction	Springloaded and replaceble
Springaction	>10mm standard, >40mm optional
Diameter	6.0mm standard, other diameters possible
Type	Mineral insulated (MgO)

Thermocouple

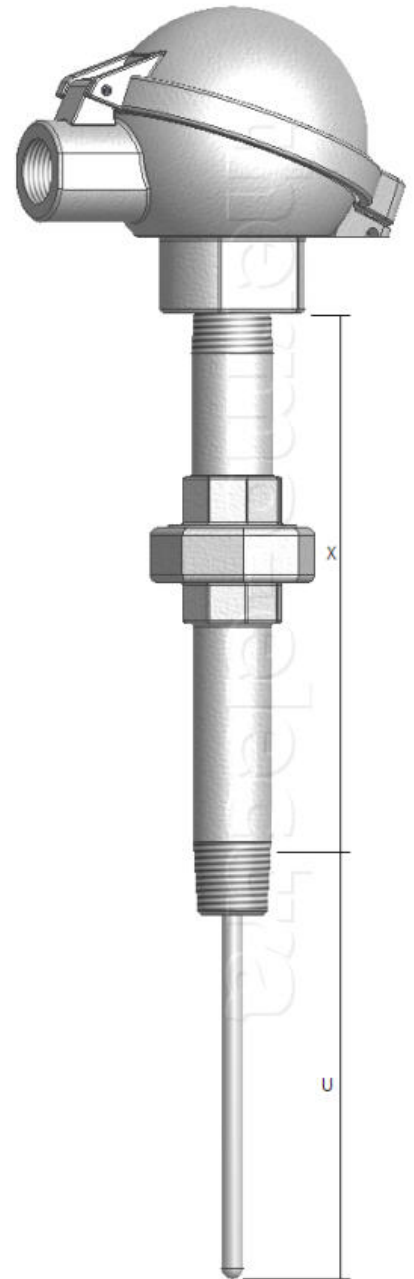
Calibration	K, T, J, E, R, S, B, U, N or L
For duplex	KK, TT, JJ, EE, RR, SS, BB, UU, NN or LL
Accuracy	According to IEC 60584-1

Extension

Type	Nipple - union - nipple standard, other constructions possible
Material	Stainless Steel
Style / Connection	1/2" NPT standard, other threads possible
Length	150mm standard, other lengths possible

Datasheet notification

The LEX55 is the replacement for the LEX45 Ex nA



Ordering code

*This datasheet is purely indicative, build-up of model code may vary from this datasheet.

