

# LEX55 Ex ec certified RTD sensor for zone 2 and 22

## Construction

<b>ATEX execution</b>	II 3 G Ex ec IIC T6...T1 Gc
<b>ATEX certification</b>	DEKRA 18ATEX0024 X
<b>IECEX execution</b>	Ex ec IIC T6...T1 Gc
<b>IECEX certification</b>	IECEX DEK 17.0046X
<b>Suitable for zone</b>	2 and 22
<b>Ingress protection</b>	IP65 / IEC529

## Connectionhead

<b>Model</b>	DAN-AK (showed), other Ex ec certified heads possible
<b>Material</b>	Aluminium, plastic or stainless steel
<b>Cable Entry</b>	M20x1.5 standard, other threads possible

## Measuring insert

<b>Construction</b>	Springloaded and replaceable
<b>Springaction</b>	>10mm standard, >40mm optional
<b>Diameter</b>	6.0mm standard, other diameters possible
<b>Type</b>	Mineral insulated (MgO)

## Sensor

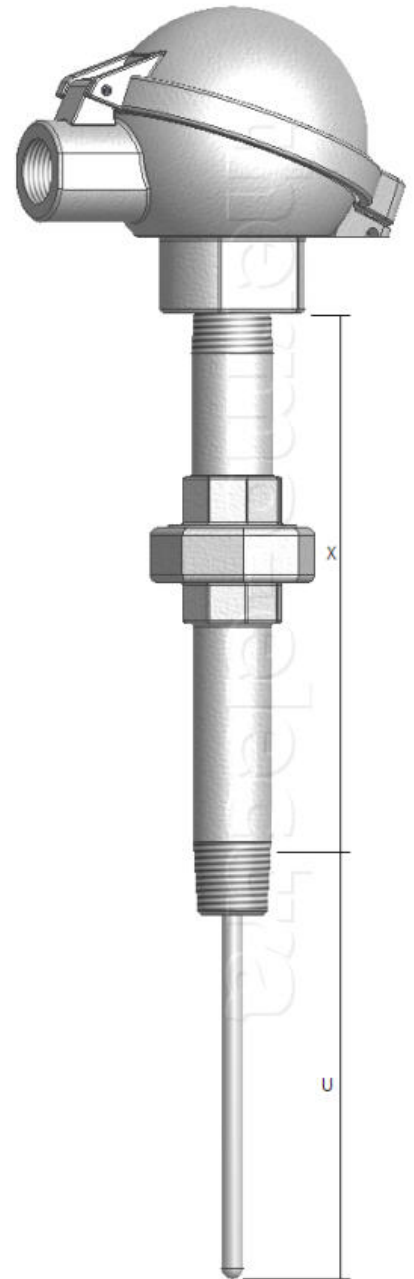
<b>Execution</b>	Single or Duplex Pt100
<b>Connection</b>	3-wire standard, 4-wire optional
<b>Accuracy</b>	According IEC 60751 Cl. B, A or AA
<b>Measuring range</b>	-20°C...+400°C standard, -220°C...+600°C optional

## Extension

<b>Type</b>	Nipple - Union -nipple standard, other constructions possible
<b>Material</b>	Stainless Steel
<b>Style / Connection</b>	1/2"NPT standard, other threads possible

## Datasheet notification

The LEX55 is the replacement for the LEX45 Ex nA  
 This datasheet is purely indicative, build-up of model code may vary from this datasheet



## Ordering code

\*This datasheet is purely indicative, build-up of model code may vary from this datasheet.

